

TRI-COLOR BARGRAPH DISPLAY

Industry standard 6 inch edgewise housing or
4 1/2 inch Switchboard housing.

PE
PS

DESCRIPTION

Precision Instrument Company's New tri-color bargraph fits into industry standard cutout and is designed, manufactured, assembled and tested in Tucson, AZ. USA.

FEATURES

- Microprocessor-based
- 10-32VDC or 90-265VAC Isolated power
- mADC or VDC Signal inputs
- Exclusive 2 year warranty program
- Special front plate markings available



***Display:** 51 segment bright LED bargraph display with four digit numeric.

***Housing:** 94V-0 rated ABS plastic or metal housing available.

***Power Input:** 10-32VDC or 90-265VAC, both are isolated

***Connector:** Plug-in screw terminal connector for 16-22 ga. wire with wire protector.

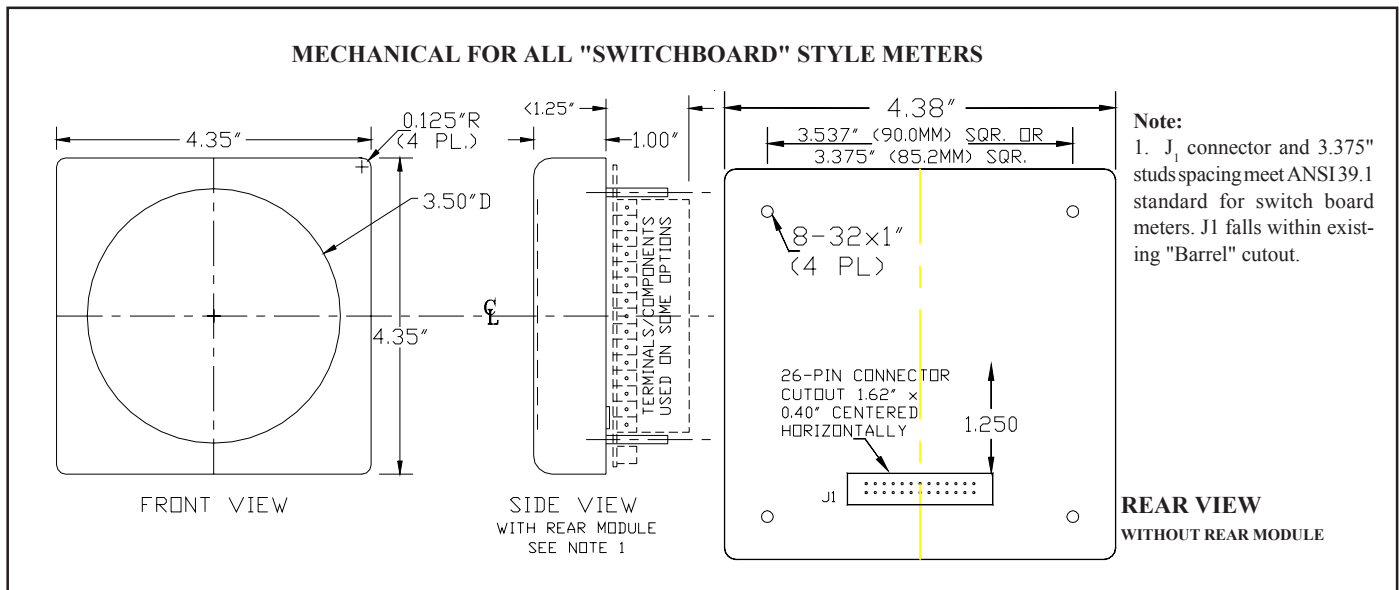
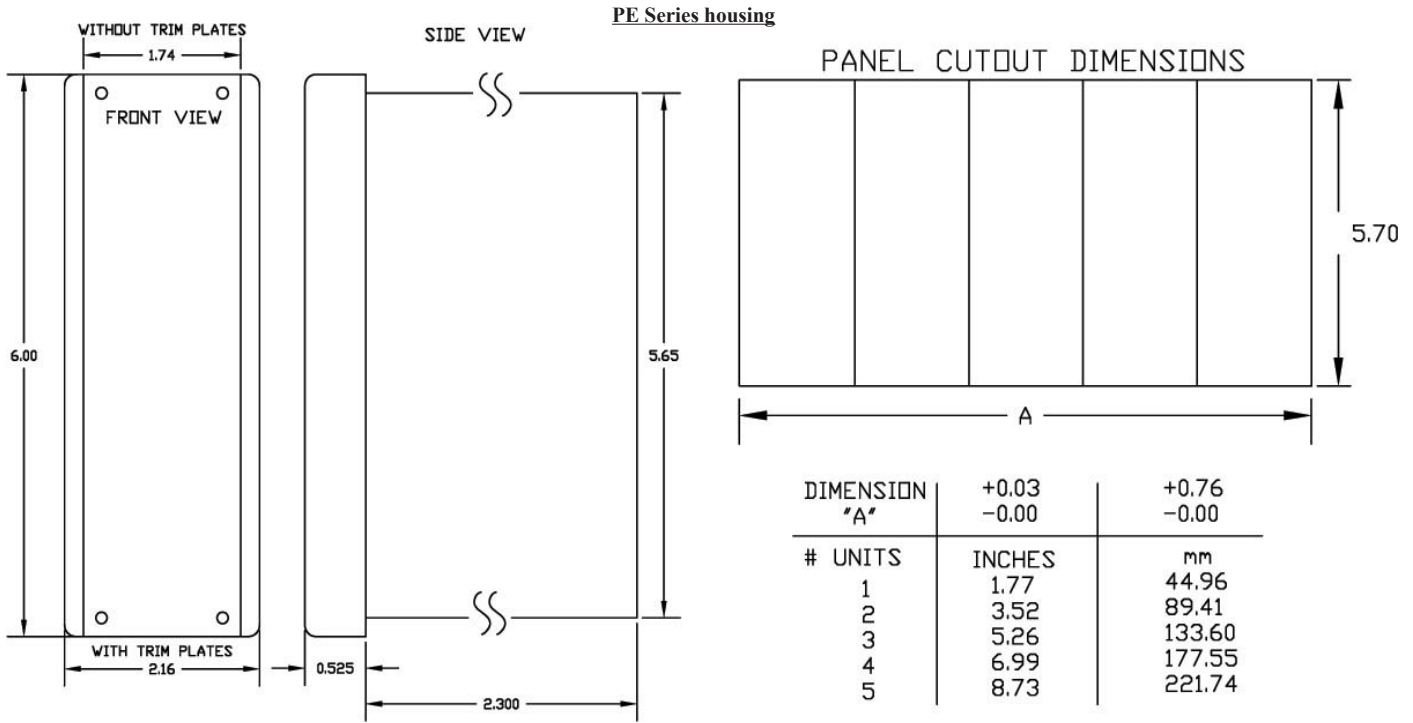
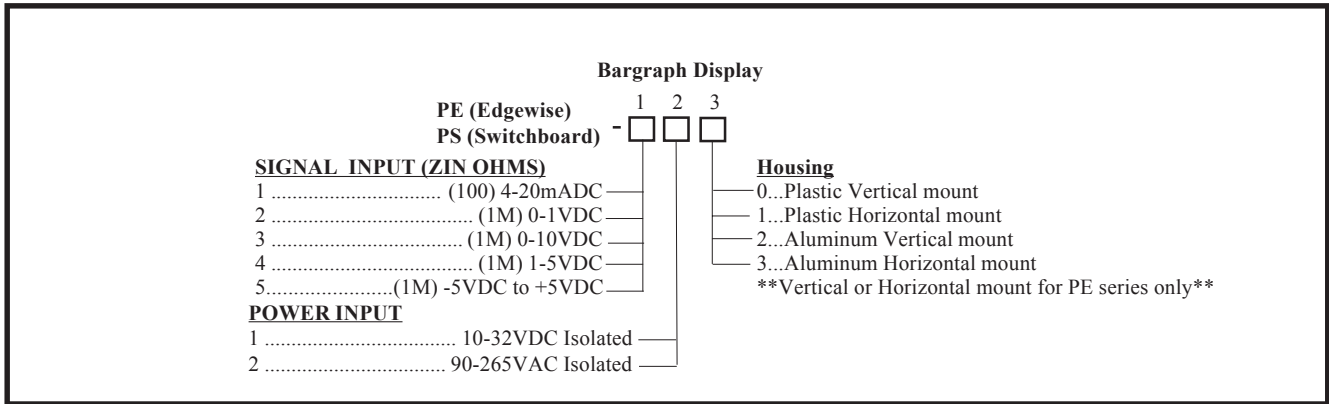
***Signal Inputs:** VDC/mADC (including 4-20mA)

***Scale Plate:** The standard scale plate is 0-100% however we can accommodate virtually any scale plate required

SPECIFICATIONS @ 25C AMBIENT

# Segments on bargraph	51	Power Input Isolated	10-32VDC
# Digits.....	Four -1999 to 9999	Power Input Isolated	90-265VAC
Analog Input Accuracy	±0.01%	Operating Temperature	0-60°C
Display Resolution	0.1%	Storage Temperature	-20 to 70°C
Polarity	Unipolar	Humidity.....	5-95% Non-condensing
Zero & Span	Yes	MTBF (Calculated)	>50,000Hrs
Response Time.....	75ms (10-90% of F.S.)	Temp. Coefficient:	±0.005%/°C
Power Requirement.....	About 3 Watts	Warranty	2 Years





NOTE:
 PE Series TS1 is signal input, TS5 is power input
 PS Series TS2 is signal input, TS1 is power input

